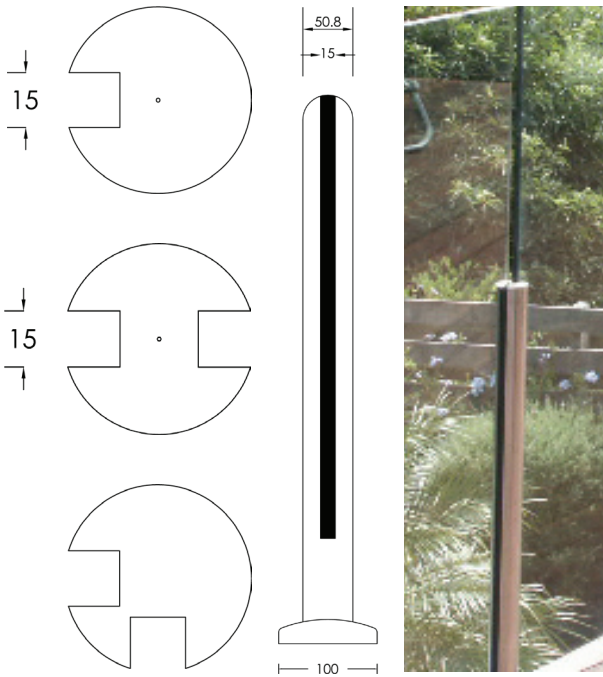


OZ-DIY Posts

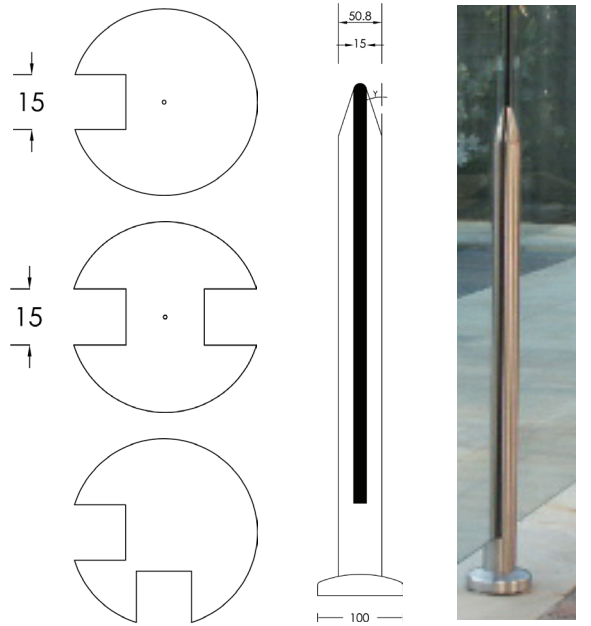
Notched Round Top

Notched Round top, this is a slightly raised knock-in cap which has notches (cut outs) in it to allow the glass to run higher than the top of the post.



Notched Cone Top

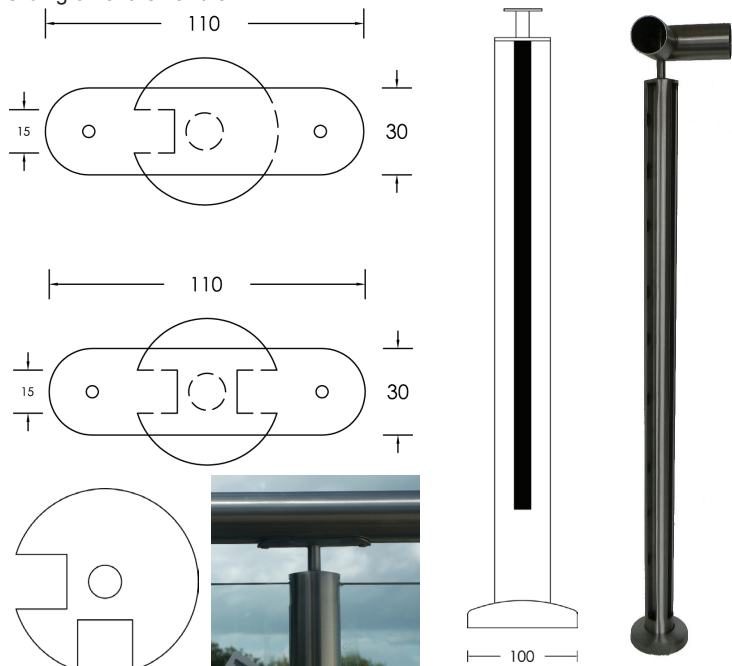
Notched Cone top, this is a Cone shape top that has very little foot hold (suitable for most pool fences please check with your inspector to make sure it meets the building standards for your application). The notches (cut outs) allow the glass to run higher than the top of the post.



**Trade Prices
All Day, Everyday**

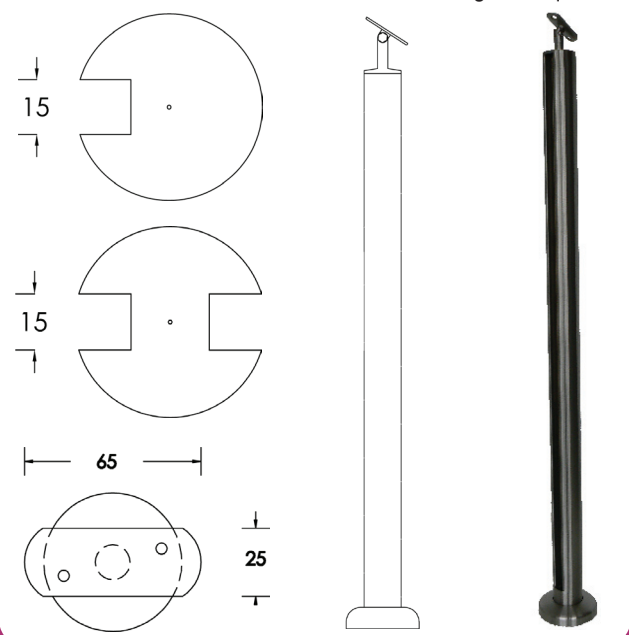
Round 50mm Handrail Top Bracket

Single, Double & Corner to suit round 50.8mm rail, the brackets on these posts are attached to the post via a pin which is welded to a cap at the top of the post. The mitred corner comes complete with internal sleeves for easy sliding on of the handrail.



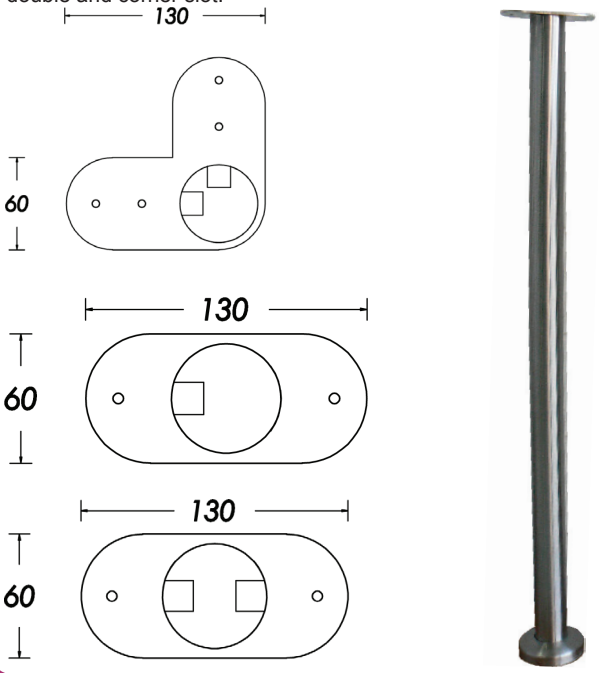
Adjustable Top Bracket

Glass slot post (single & double) with adjustable bracket for round or flat handrail, this bracket is unique in the way you can adjust the top to whatever angle you wish by simply loosening off the grub screw finding your angle then re-tightening the grub screw. This is ideal for stairs and wherever an angle is required.



Flat Handrail Top Bracket

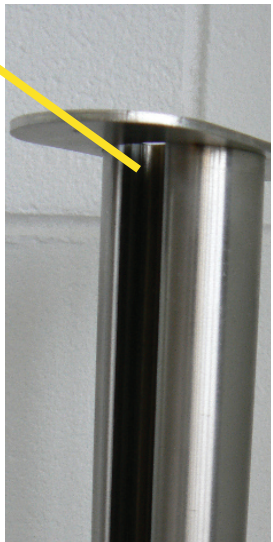
Top view of bracket for flat handrail (see below), this bracket is welded straight to the 50.8mm Slotted post. This is done to achieve a stream line look and strength. Available in single, double and corner slot.



**HIGH
QUALITY
STAINLESS
STEEL**

The Channel

The channel measures 15mm wide & 15mm deep, it is suitable for use with up to 12mm glass. Once the glass is in position you simply place a bead of silicone down each side of the glass this will hold it in position and prevent vibration.



The Foot

The foot is what we call the piece of tube that comes up from the bottom of the post and then turns into the slotted tube found on all slotted posts, the main usage of the foot is that the glass has a ledge to rest its weight on while the silicone is drying (this will stop the sliding of the glass). Also it will allow air to flow through under the glass. On all slotted posts the foot is set at 60mm up from the base.

