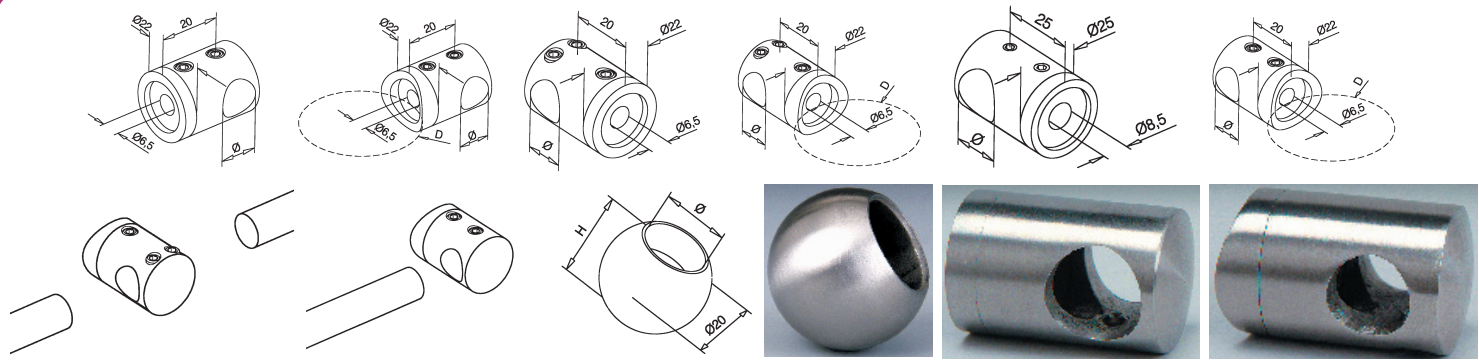


Q-Railing Rod Adaptors & Ball Ends G316



The rod adaptors are a very popular alternative to wire balustrading, they simply screw or bolt to your post. This is done by undoing a grub screw found at the back of the bracket that then allows the base and the body to come apart. The bracket can then be fixed into position, you then simply slide the body back onto the base and tighten the grub screw. The next step is to slide your rod through the centre hole of the adaptor and tighten into position with another grub screw (grubscrews provided). At the ends you can use the endball which will give a professional finish.

CODE	BRACKET FIXING POINT	ROD SIZE mm	POSITIONING	CENTRE HOLE FIXING SIZE mm
AN-140830-000	Flat	12	Intermediate	6.5
AN-140830-048	Round 50mm	12	Intermediate	6.5
AN-140840-000	Flat	16	Intermediate	8.5
AN-140840-048	Round 50mm	16	Intermediate	8.5
AN-140831-000	Flat	12	Join	6.5
AN-140831-048	Round 50mm	12	Join	6.5
AN-140832-000	Flat	12	End Left	6.5
AN-140833-000	Flat	12	End Right	6.5
AN-140832-048	Round 50mm	12	End Left	6.5
AN-140833-048	Round 50mm	12	End Left	6.5
AN-140221-012		12	End Ball	6.5